

SXL4 Series | Single-pole red illuminated push button switch 16A quick connection 4.8 black body

PRODUCT CODE: SXL4126H1G00000W

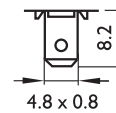


sample image

Wiring diagrams



Terminal type



Body colour

Actuator colour

Rating

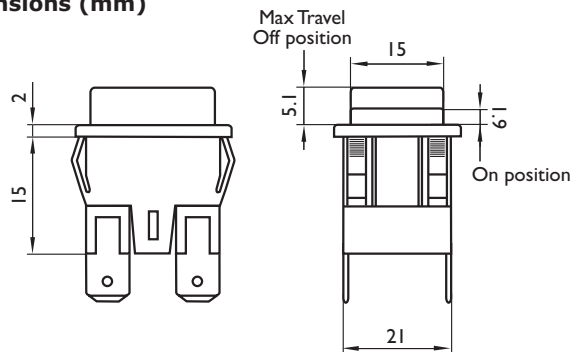
16 (4) A / 250 VAC
10 (6) A / 250 VAC - 5E4
T125/55 °C

16 A / 125 VAC
 16 A / 250 VAC
 3/4 HP - 125 VAC
 3/4 HP - 250 VAC
 T100 °C

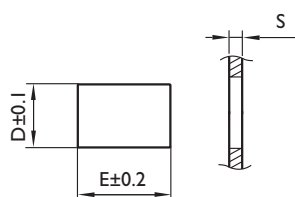
Approvals



Dimensions (mm)



Cut out (mm)



S	D ¹	D ²	E
0.5-1.2	12.9	13.4	19
1.2-2	12.9	13.4	19.3
2-3	12.9	13.4	19.6